

## Refrigeration Equipment 8-Crate Single Access Milk Cooler 35" Long

ITEM # \_\_\_\_\_

MODEL # \_\_\_\_\_

NAME # \_\_\_\_\_

SIS # \_\_\_\_\_

AIA # \_\_\_\_\_



738275 (KCHMC34)

8-Crate Single Access Milk  
Crate Cooler 35" Long

### Short Form Specification

**Item No.** \_\_\_\_\_

School milk cooler with exterior back panel in white-painted steel, bottom panel in galvanized steel, exterior side panels in white-painted steel and top in 430 stainless steel; interior back and side panels in 430 stainless steel, interior bottom in 304 stainless steel. Interior drain and electronic temperature control.

Heavy duty locking casters, removable door gasket, lid and key to protect the unit.

R290 gas in the refrigeration circuit.

ETL Safety and Sanitation certified.

3/5 Years warranty.

### Main Features

- External temperature display.
- Removable gasket for easy cleaning operations.
- Electronic Temperature Control, quick and simple to set, with control display for easy monitoring.
- Fin & Tube Condenser improves performance in high temperature environments.
- Automatic Defrost Cooling System provides worry-free performance.
- Removable rubber bumper guards for airflow spacing and shock absorption
- Cabinet completely insulated with high density polyurethane for low environmental impact.
- Extra-long removable rubber bumper guards on lids to minimize scratches and dents when opening
- Back bottom mounted cooling unit guarantee an easy access and cleaning.
- Heavy duty vinyl coated steel floor protector shelves

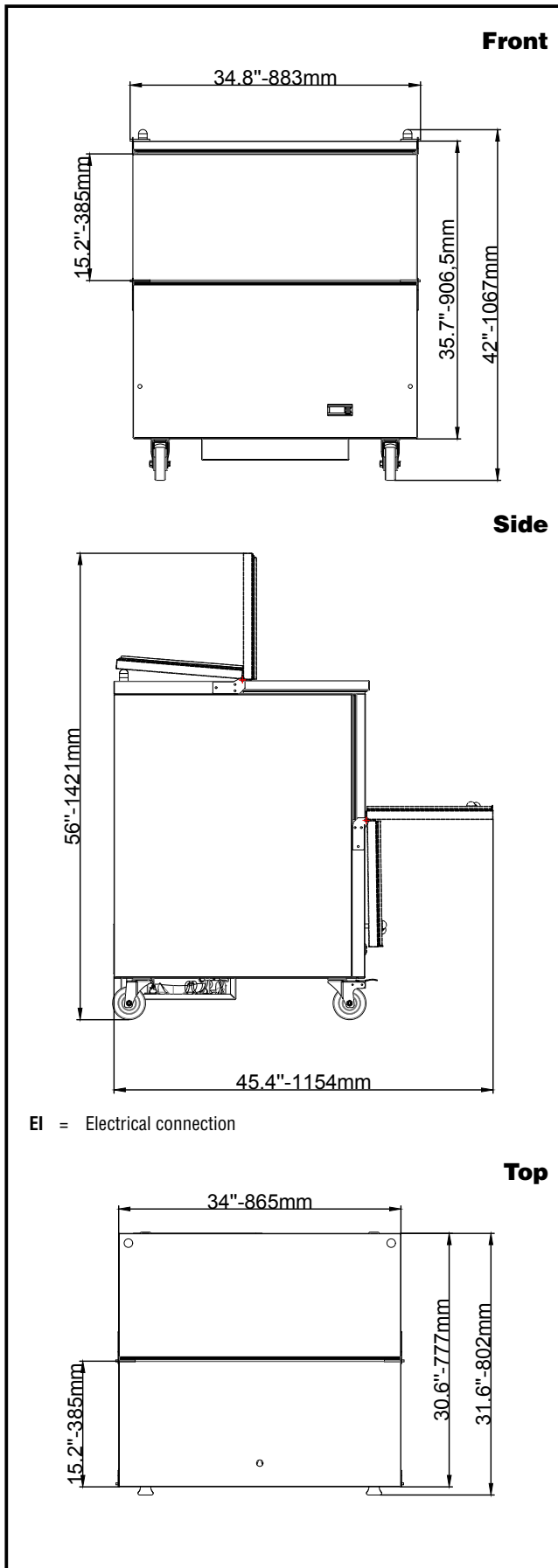
### Construction

- Painted white steel exterior, for durable and sleek finish
- Heavy-duty, locking casters keeps the unit in place but allow position adjusting.
- Stainless steel interior, durable and easy to clean for daily commercial use
- Locking lid to protect contents of the unit.
- Internal drain for easy clean out.
- Stainless steel worktop, durable functionality
- Pre-wired heavy duty power cord.
- Cold Wall evaporator.
- Stainless steel door(s) for long lasting performance
- Even cooling throughout the unit with advanced cold wall technology

### Sustainability

- CFC and HCFC free, highly ecological refrigerant type: R290 (ecological gas in foam: cyclopentane). Hydrocarbon refrigerant gas R290 for the lowest environmental impact (GWP=3), to reduce green house and ozone depletion effects.
- High efficiency components to minimize the energy consumption still guaranteeing the highest performances.
- Hydrocarbon refrigerant gas R290 for the lowest environmental impact (GWP=3) - CFC and HCFC free.
- 38 mm insulation for energy saving

APPROVAL: \_\_\_\_\_



## Electric

Supply voltage:	115 V/1 ph/60 Hz
Electrical power, max:	0.21 kW
Plug type:	USA NEMA 5-15P

## Capacity:

Gross capacity:	12.1 cu.feet
-----------------	--------------

## Key Information:

Warranty:	3 / 5 years
External dimensions, Width:	34 1/16" (865 mm)
External dimensions, Depth:	30 9/16" (777 mm)
External dimensions, Height:	42 1/64" (1067 mm)
Internal Dimensions (depth):	26 1/2" / (673.1 mm)
Internal Dimensions (height):	25 1/2" / (647.7 mm)
Internal Dimensions (width):	30 13/16" / (782.32 mm)
Shipping height:	48 5/8" (1235 mm)
Shipping weight:	229 lbs (104 kg)
Shipping volume:	32.54 ft <sup>3</sup> (0.92 m <sup>3</sup> )
Type of external material:	Prepainted white
Type of internal material:	Stainless Steel
Approvals	ETL C&US;ETL SANITATION

## Refrigeration Data

Condenser type:	Fin & tube
Operating temperature min.:	35.6 °F
Compressor power:	1/3 hp
Operating temperature max.:	37.4 °F
Defrost type:	Auto Defrost

## Sustainability

Current consumption:	3 Amps
Refrigerant type:	R290
GWP Index:	3
Refrigerant weight:	90 g

### Refrigeration Equipment 8-Crate Single Access Milk Cooler 35" Long

The company reserves the right to make modifications to the products without prior notice. All information correct at time of printing.

